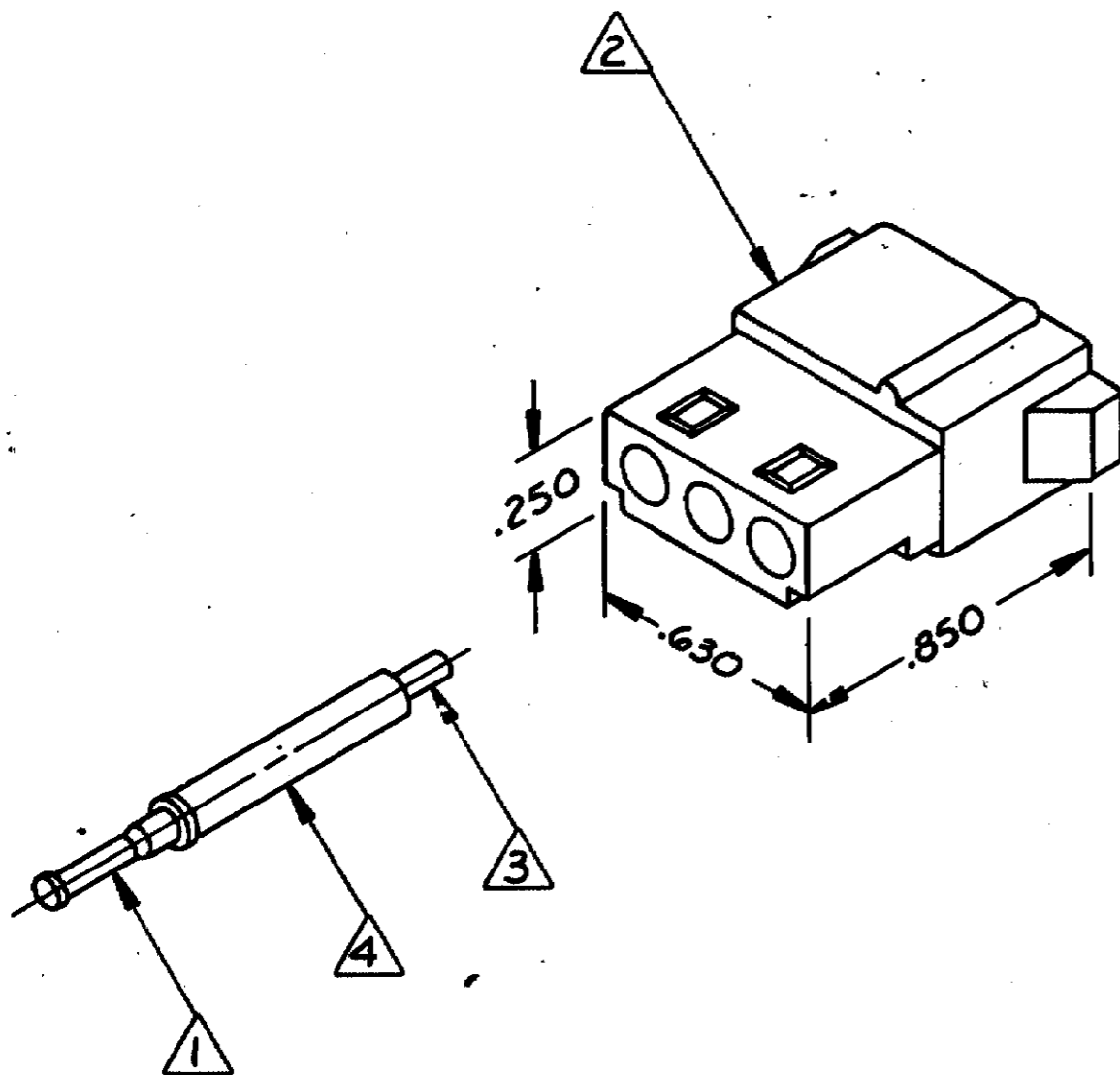


THIS DRAWING IS UNPUBLISHED. RELEASED FOR PUBLICATION . 19 .  
 © COPYRIGHT 19 BY AMP INCORPORATED, HARRISBURG, PA. ALL INTERNATIONAL RIGHTS RESERVED. AMP PRODUCTS MAY BE COVERED BY U.S. AND FOREIGN PATENTS AND/OR PATENTS PENDING.

		REVISIONS				
P	F	ZONE	LTR	DESCRIPTION	DATE	APPROVED
✓	✓			O REL PER TTI CM85-46	4-3-85	CM/RS



- ① SPRING LOADED TEST PROBE.
- ② PLUG HOUSING, NYLON (94V-2), COLOR-NATURAL.
- ③ TEST PROBE RECEPTACLE, PRE-TIN, BRASS.
- ④ ACCEPTS MATE-N-LOK SOCKET.

1-770122-0

PART NO

UNLESS OTHERWISE SPECIFIED DIMENSIONS ARE IN INCHES. TOLERANCES ON: DECIMALS ±.015 ANGLES ±	CONTRACT NO		<b>AMP</b>   AMP INCORPORATED Harrisburg, Pa.	
	DR <i>C. Martin</i> 4-3-85			
	MATERIAL		NAME	
	② ③		TEST ASS'Y, PLUG, 3 CKT, MATE-N-LOK	
FINISH		SIZE	FSCM NO	DRAWING NO
② ③		<b>B</b>	00779	770122
		SCALE 2:1	SHEET	